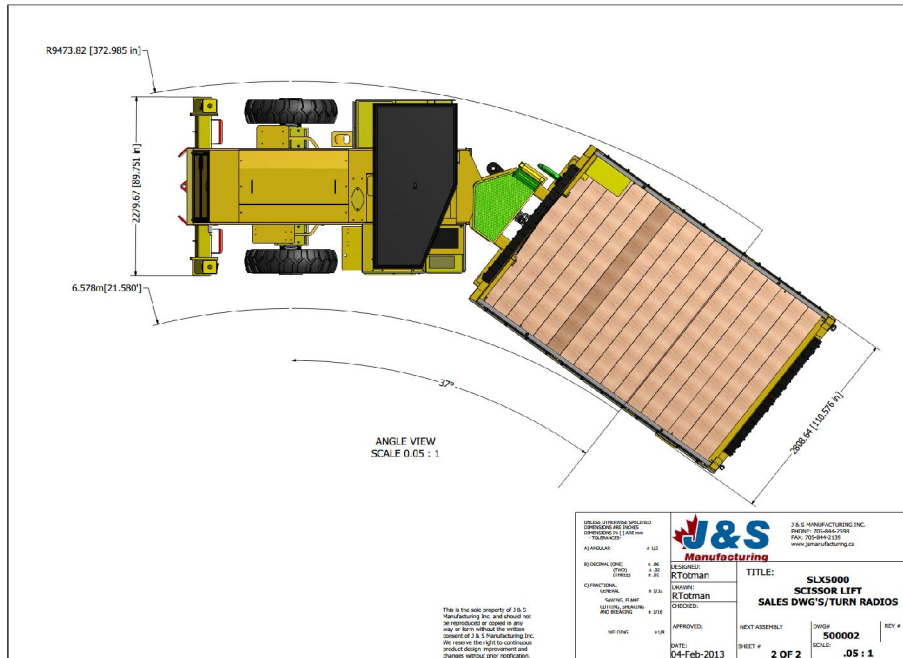
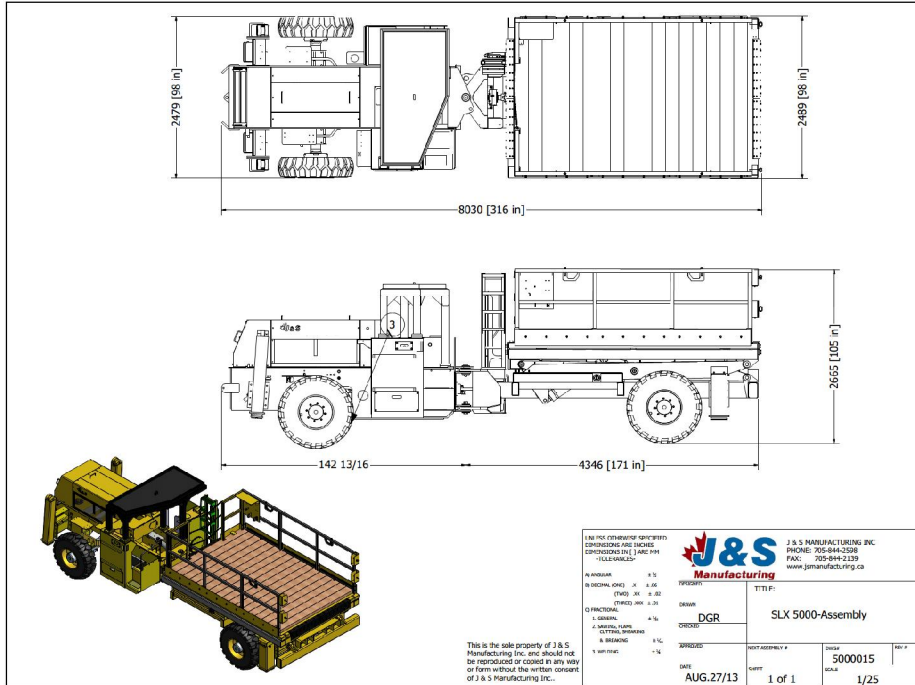




## BUILT TO PERFORM

TECHNICAL SPECIFICATIONS		SLX 5000	
<b>Engine</b>		<b>Dimensions Carrier</b>	
Type	Deutz	Length	364in
Model	F6L914W air cooled	Width	96in
Cylinders	In-Line 6	Height	93in
Exhaust	Exhaust Purifier		
Electrical	24 volt	<b>Performance</b>	
		1st Gear	3 km/h
<b>Powertrain Transmission</b>		2nd Gear	7 km/h
Transmission	Clark Hurth	3rd Gear	22 km/h
Series	T20000		
Gears forward	Three (3)	<b>Weight</b>	
Gears reverse	Three (3)	Net	34,000lbs
4 wheel drive	Yes		
		<b>Carrier</b>	
<b>Axles – D65</b>		Rops/Fops	Yes
Planetary Type	Yes	Passenger seat	Yes
Rear	Fixed	Fire Suppresion	Yes
Front	Oscillation	Lockable Master	Yes
		Safe Entry/exit 3 point	Yes
<b>Brakes</b>		<b>Additional Options</b>	
Service	4 Wheel Wet Disc	Engine	Mercedez 904 Water Cooled (147hp)
Emergency	4 Wheel Wet Disc+Wet disc driveline	Enclosed Cab	A/C or heat
Park	4 Wheel Wet Disc+Wet disc driveline	LED lights	24 volts
<b>Scissor Platform</b>		Lubrication system	Lincoln
Lifting Height	12 feet	Tool Compartement	Custom built
Deck Capacity	6000lbs	Fast Fuel System	Wiggins
Deck size	8 feet wide x 12 feet long	Compressor	Hydraulic driven
Side shift	24inches	Spare tire and rim	1200 x 20
Stabilizers	Hydraulic	Power Pack	Air over hydraulic
Ladder to Platfrom	Mechanical	Custom	Other custom-built options available
Diesel start/stop from platform	Optional		

At JS Manufacturing, engineering is a process of continuous improvement: therefore, specifications are subject to change without notice.



At JS Manufacturing, engineering is a process of continuous improvement: therefore, specifications are subject to change without notice.